

ARMSTRONG TRACTOR COMPANY

AGRICULTURAL TOOL PACKAGE

CATEGORY " 0 " 3 POINT HITCH

PLOW, DISC AND CULTIVATORS



Bob

The Ag Tool Package implements are the same for both CAT "0" & CAT "1". The only difference is the tool bar, there is a tool bar for CAT. "0" and CAT. "1".

HOW TO USE YOUR GARDEN TOOL PACKAGE

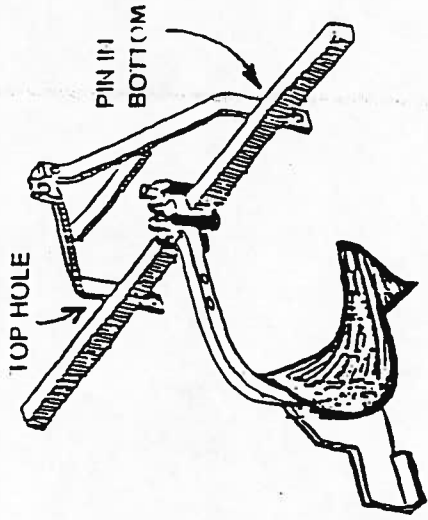
TURNING PLOW - THE TURNING PLOW IS USED FOR BREAKING GROUND BY TURNING THE TOP SOIL UNDER EXPOSING FRESH DIRT TO THE SURFACE. THE PLOW MOUNTS TO THE TOOL BAR AS SHOWN IN ILLUSTRATION. WIDTH OF CUT MAY BE ADJUSTED BY SLIDING THE PLOW TO THE LEFT OR RIGHT ON THE TOOL BAR. THE FAR RIGHT POINT OF THE PLOW HEAD SHOULD OVERLAP THE INSIDE OF REAR TIRE BY AT LEAST 1/2". WHEN PLOWING OTHER THAN THE INITIAL FURROW, THE RIGHT FRONT AND REAR WHEEL OF THE TRACTOR ARE PLACED IN THE PREVIOUS FURROW. PLOWING DEPTH WILL BE DETERMINED BY THE POSITION OF TOPLINK. CLOCKWISE TURNS WILL MAKE A DEEPER FURROW. COUNTER CLOCKWISE WILL MAKE A SHALLOWER FURROW. AT LEAST FOUR FURROWS MUST BE PLOWED TO OBTAIN A DEPTH OF 6" OR MORE. THE FRONT POINT OF THE PLOW SHOULD BE LEVEL WHEN DESIRED DEPTH IS OBTAINED. ADJUST ACCORDINGLY WITH TOPLINK.

DISC HARROW - THE DISC HARROW MAY BE MOUNTED IN TWO DIFFERENT POSITIONS, ONE MOUNTING WILL THROW DIRT TO THE OUTSIDE. THE OPPOSITE MOUNTING WILL THROW DIRT TO THE MIDDLE. THE LATTER MOUNTING CAN BE USED FOR BUILDING HILLS FOR POTATO OR MELON PLANTING. ADJUSTING THE TOPLINK WILL VARY THE AMOUNT OF SOIL THROWN TO THE HILL.

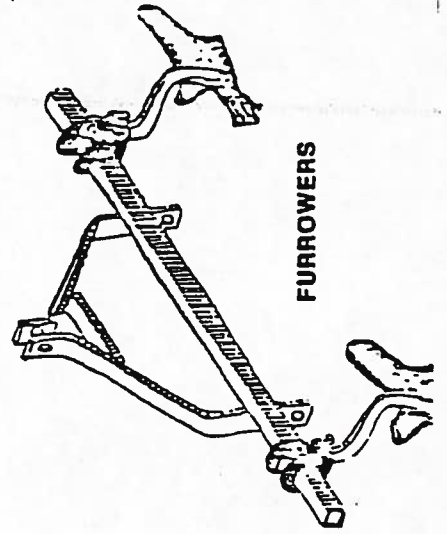
CULTIVATORS - MANY VARIATIONS OF THE TOOL BAR AND SHANKS MAY BE USED. SWEEPS OF VARIOUS TYPES AND SIZES MAY BE MOUNTED IN A STRAIGHT OR OFFSET PATTERN. PRIMARY USE OF THIS TOOL WILL BE FOR THE REMOVAL OF UNWANTED GROWTH OF WEEDS BETWEEN THE ROWS.

MIDDLE BUSTERS-FURROWER - USED PRIMARILY FOR FORMING HILLS AND LAYING OUT ROWS, CENTER ONE BUSTER DIRECTLY BEHIND THE CENTER OF EACH REAR TIRE. THIS WILL THROW THE DIRT TO THE MIDDLE LEAVING TWO FURROWS AND ONE HILL DIRECTLY IN THE CENTER OF THE TRACTOR. ON THE RETURN PASS, THE WHEELS ON ONE SIDE OF THE TRACTOR SHOULD BE PUT IN THE FURROW. THIS WILL ENABLE YOU TO KEEP ALL ROWS THE SAME DISTANCE APART. THE FURROWER, (SINGLE BUSTER) MAY BE USED FOR OPENING A SEED BED FOR PLANTING OR TAKING DOWN OLD HILLS AT THE END OF THE SEASON. POTATO DIGGING IS ALSO POSSIBLE WITH THE FURROWER. REMEMBER, BY ADJUSTING THE TOP INK, YOU CAN CONTROL THE DEPTH AS WELL AS THE AMOUNT OF DIRT YOUR BUSTER WILL THROW.

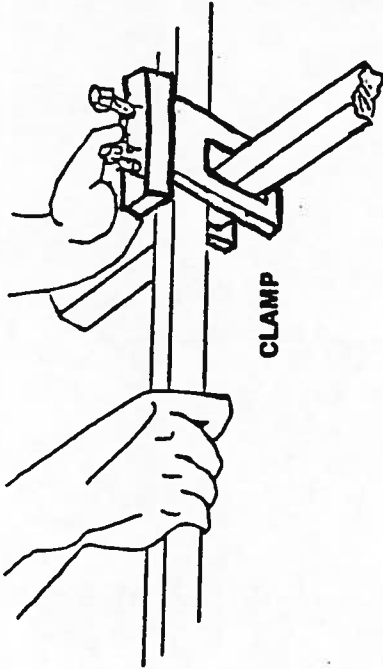
CLAMP - THE TOOL BAR CLAMP IS DESIGNED FOR EASY HOOK-UP AND ADJUSTMENTS OF THE TOOL BAR ATTACHED IMPLEMENTS. THE UNIQUE DESIGN ENABLES YOU TO MOUNT INSIDE THE A FRAME AS WELL AS FORWARD AND UNDERNEATH THE TOOL BAR. TIGHTEN BOLTS SECURELY WHEN MOUNTING THE IMPLEMENTS. BE SURE THE JOINING TWO METALS ARE PARALLEL BEFORE DRAWING THE CLAMP BOLTS TIGHT.



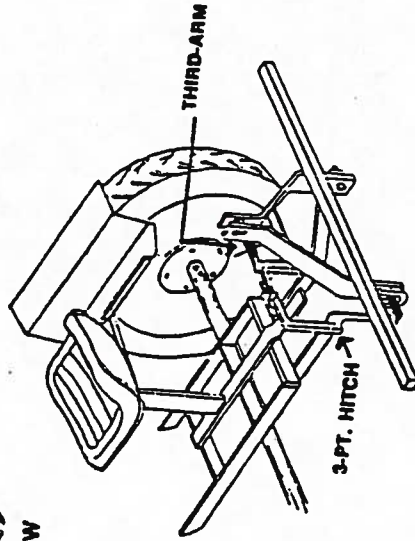
TURNING PLOW



FURROWERS

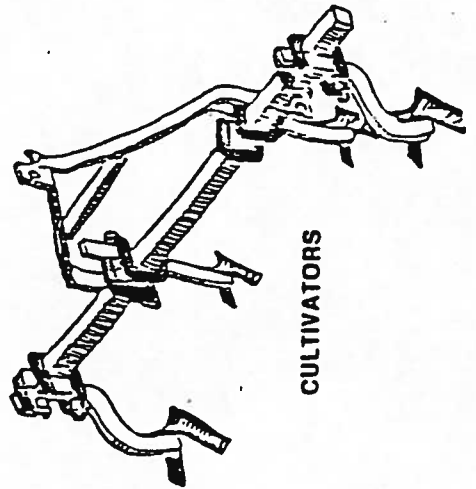
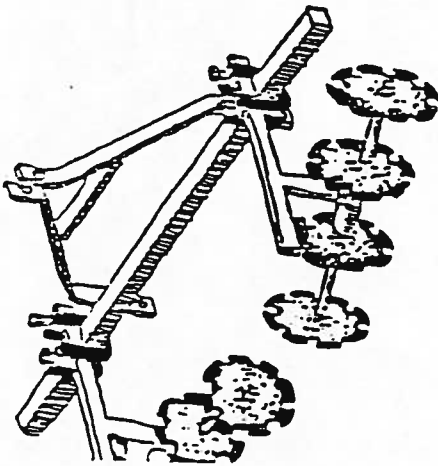


CLAMP



DISC HARROW

CATEGORY "0"
TOOL PACKAGE

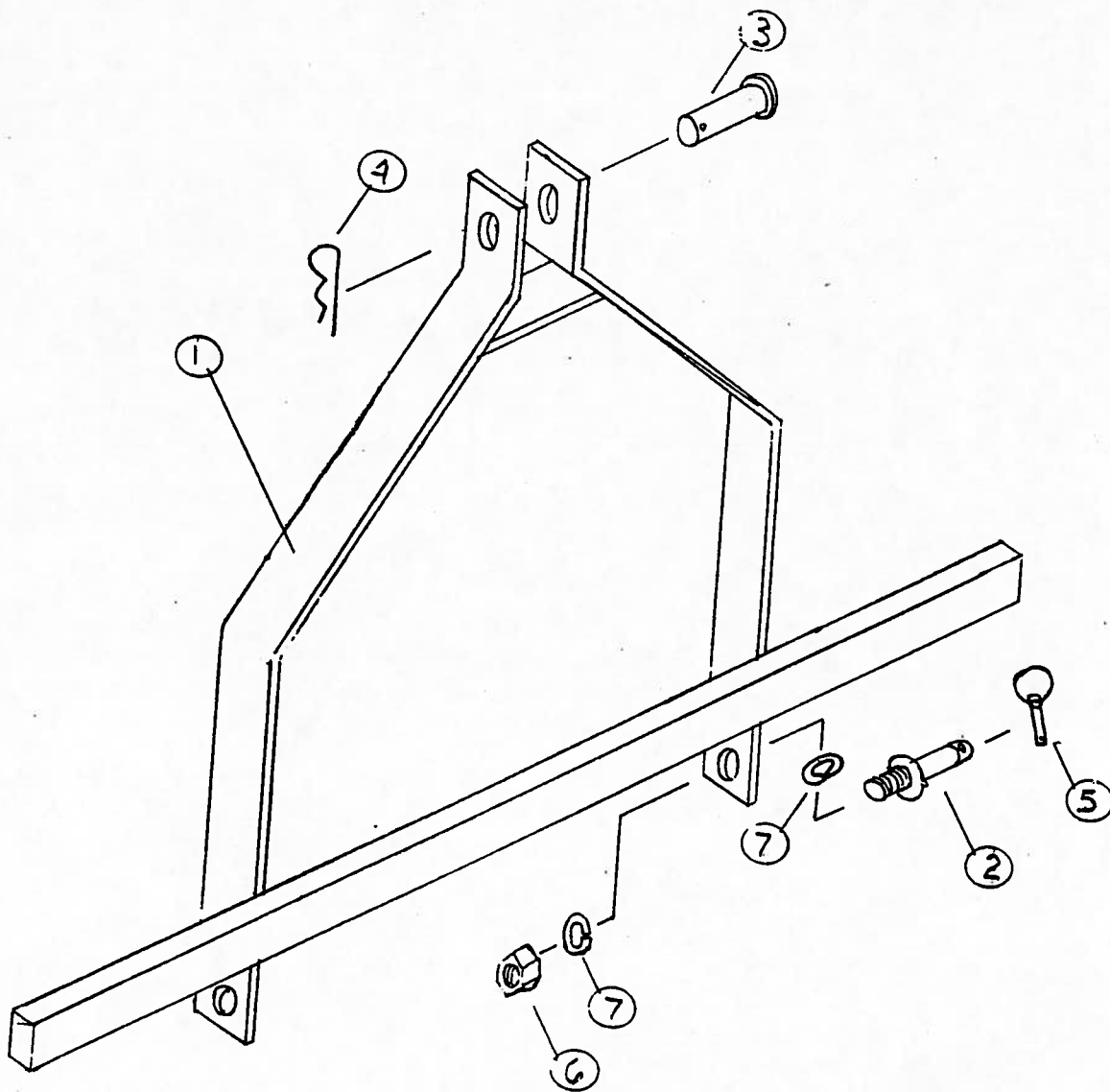


CULTIVATORS

TOOL BAR

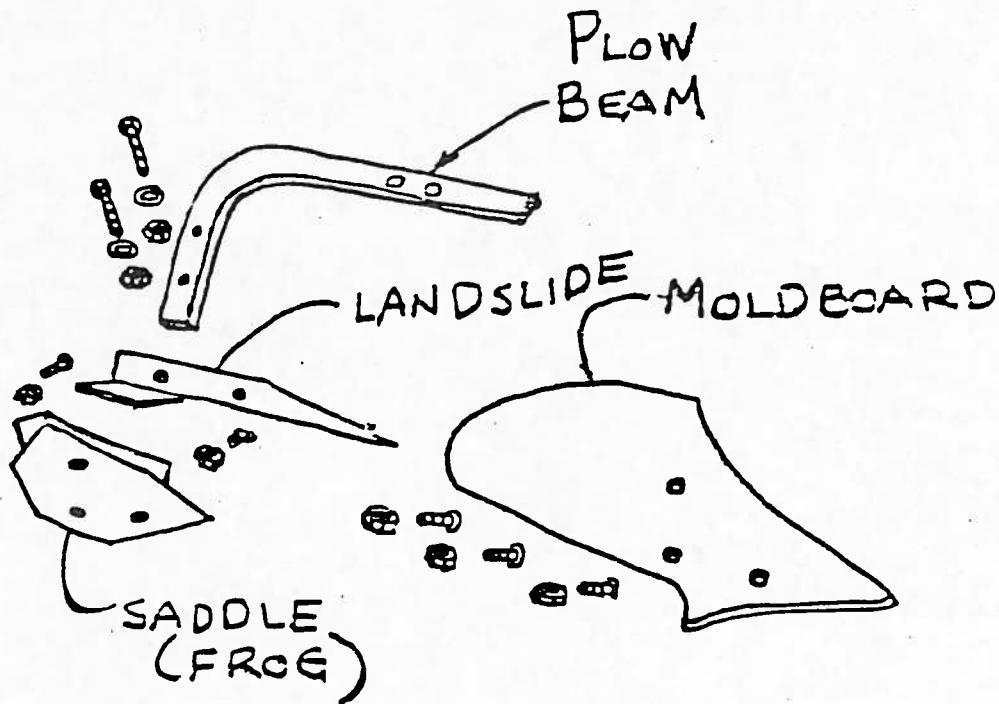
REF. NO	NO. REQ	DESCRIPTION
1	1	TOOL BAR
2	2	5/8" HITCH PIN
3	1	5/8" X 2 1/2" CLEVIS PIN
4	1	HAIR PIN
5	2	CIRCLE CLIP
6	4	5/8" - 11 HX NUT
7	2	5/8" LOCKWASHER

PART NO	CHK. LIS
302111	
N/A	
N/A	
N/A	
N/A	
N/A	
N/A	
N/A	



1. PLOW

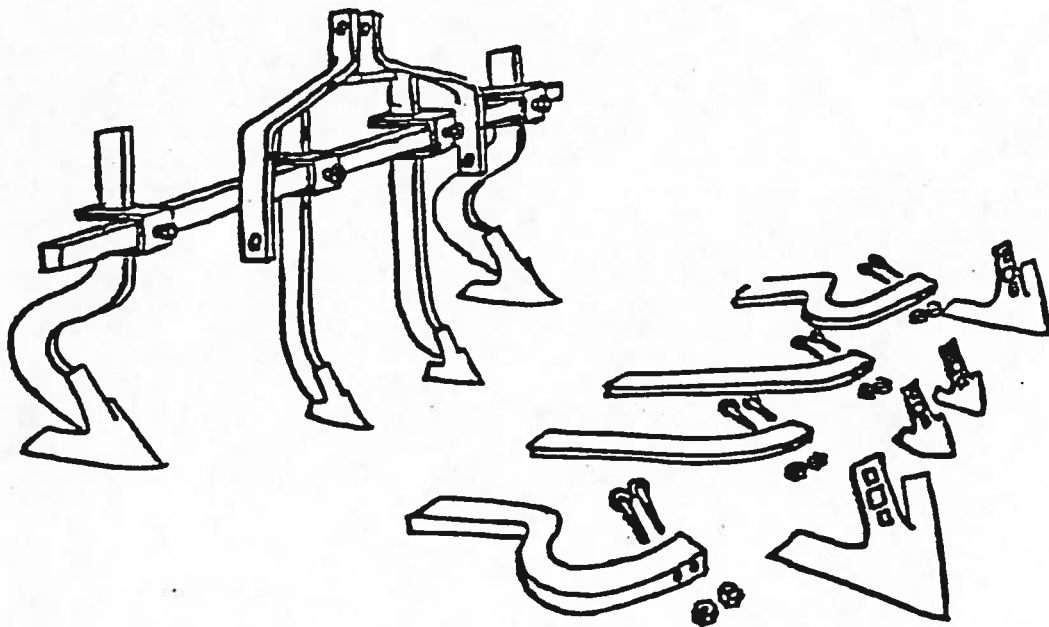
- A. Remove the pieces shown from the carton. Also remove (5) 3/8-16 x 1 1/4 plow bolts. (5) 3/8-16 hex head nuts. (1) 1/2 x 2 carriage bolt. (1) 1/2 x 2 1/2 plow bolt. (2) 1/2 lockwasher and (2) 1/2-13 hex head nuts from the plastic hardware bag.



- B. Attach landslide to frog using (2) 3/8 x 1 1/4 plow bolts and (2) 3/8-16 hex nuts.
- C. Attach moldboard to frog using (3) 3/8 x 1 1/4 plow bolts and nuts. Tighten all nuts securely.
- D. Attach plow beam to plow head using (1) 1/2 x 2 1/2 plow bolt. (1) 1/2 x 2 carriage bolt. (2) 1/2 lockwashers. and (2) 1/2-13 hex nuts.
- E. Attach plow to tool bar using (1) clamp.
- F. Attach tool bar to 3-pt. hitch using (2) circle clips. (1) clevis pin. and (1) hair pin.

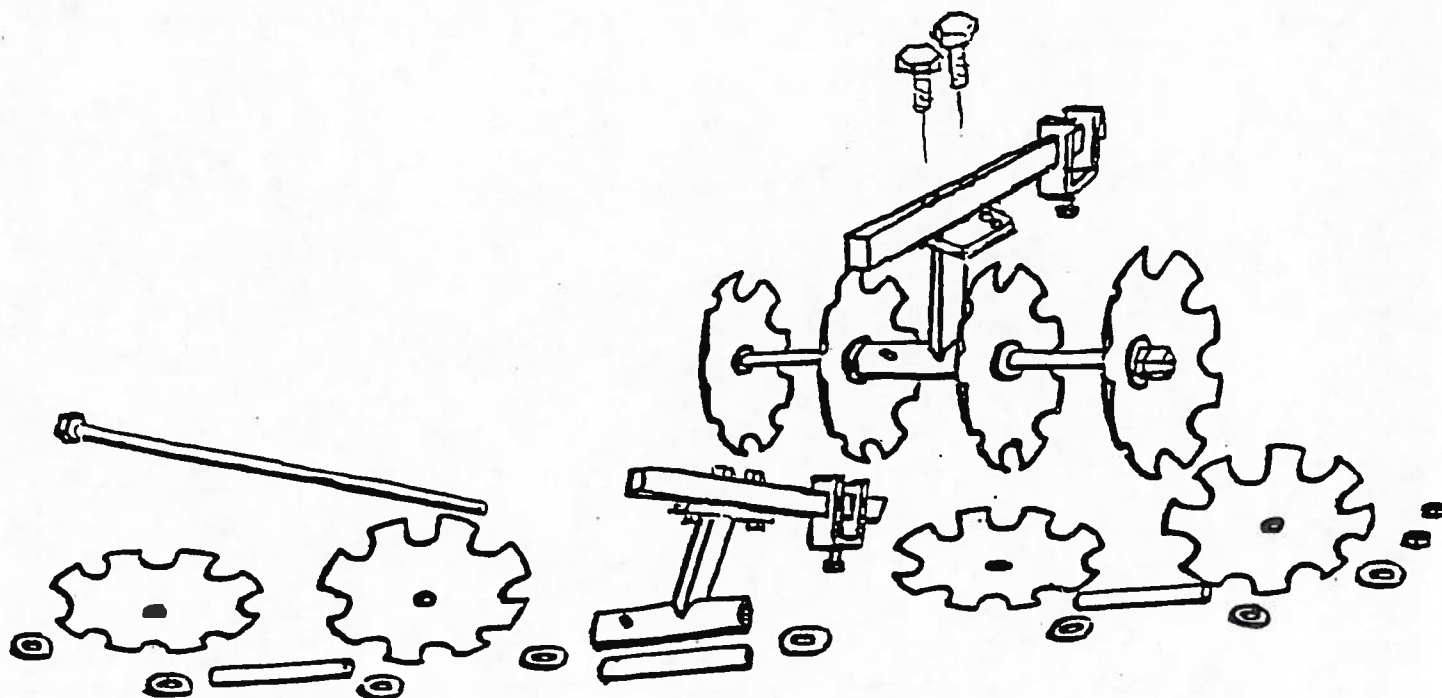
CULTIVATORS/FURROWER ASSEMBLY

- A. Remove (2) offset shanks, (2) straight shanks, (2) large sweeps, and (2) small sweeps from carton.
- B. Install large sweeps on offset shanks, small sweeps on straight shanks, using (8) $7/16 \times 2 \frac{1}{2}$ plow bolts, and (8) $7/16$ -14 hex nuts. From the plastic hardware bag.
- C. When using the furrow opener, simply remove large sweep from offset shank and replace with furrow opener.



DISK HARROW

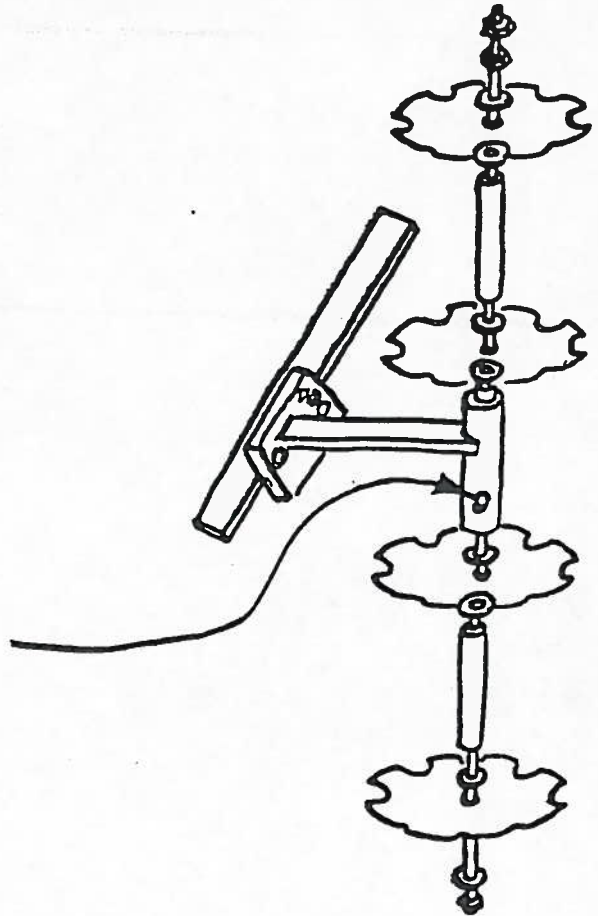
- A. Remove the (2) $3/4 \times 20$ gang bolts. (4) $3/4-10$ hex nuts, and (16) $3/4$ flatwashers from plastic hardware bag.
- B. Remove the disc spacers.



- C. Hold gang bolt in upright position. Install parts as follows:
(1) $3/4$ flatwasher (1) disc blade (1) flatwasher (1) painted spacer (1) flatwasher (1) disc blade (1) flatwasher (1) unpainted spacer.
Assemble second bolt in the same manner.

- D. Remove right and left hand disc frame from carton. Slide disc frames over unpainted spacers.

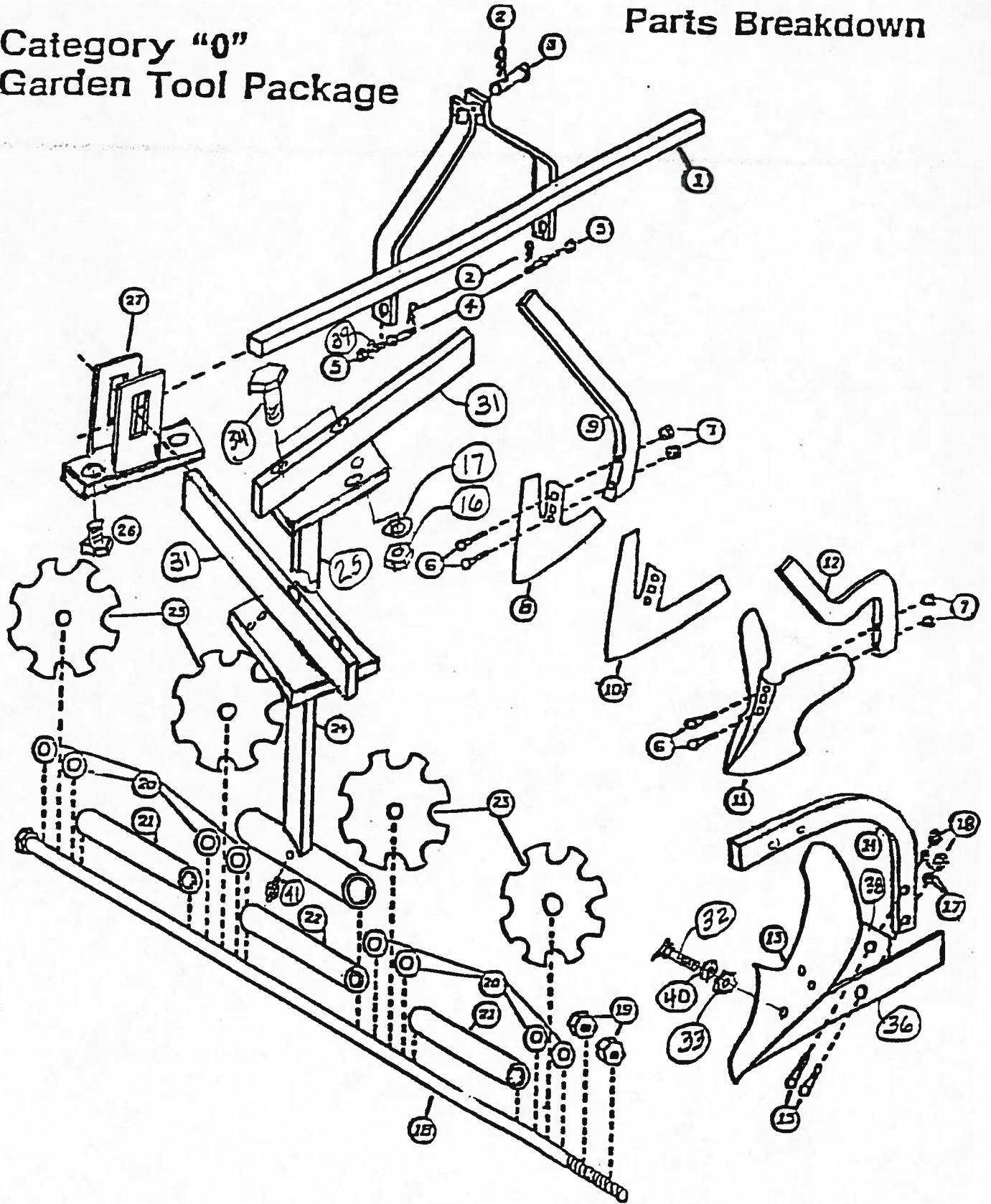
NOTE: Grease fitting should point toward the concave of the disc blade.



- E. Install remaining parts as follows: (1) 3/4 flatwasher, (1) disc blade, (1) flatwasher, (1) painted spacer, (1) flatwasher, (1) disc blade, (1) flatwasher, and (1) 3/4-10 hex nut. Tighten nut securely, install second 3/4-10 hex nut, tighten securely, locking it to the first nut. Assemble second assembly in the same manner.
- F. Attach top disc frames to left disc frames using (2) 1/2-13 x 3 1/2 HHKS, (2) 1/2-13 HX nut, and (2) 1/2 lockwasher. Attach the right disc frame to the top frame in the same manner.
- G. Attach top disc frames to the tool bar using (2) tool bar clamps.

Category "0" Garden Tool Package

Parts Breakdown



CAT. "0" TOOL PACKAGE

REF. NO. NO. REQ'D

DESCRIPTION

1	1	TOOL BAR WELDMENT
2	1	5/8" HAIR PIN
3	1	5/8 X 2 1/2 CLEVIS PIN
4	2	5/8 HITCH PIN-
5	4	5/8 - 11 HEX NUT
6	8	7/16 X 2 1/2 PLOW BOLT
7	8	7/16 HEX NUT
8	4	6" CULTIVATOR SWEEP
9	2	STRAIGHT SHANK
10	2	8" CULTIVATOR SWEEP
11	2	10" FURROWER
12	2	OFFSET SHANK
13	1	10" PLOW BOTTOM/MOLDBOARD
14	1	10" PLOW BEAM SHORT
15	4	1/2 X 2 1/2 PLOW BOLT
16	8	1/2 HEX NUT
17	8	1/2 LOCKWASHER
18	2	3/4 X 20" LONG DISC BOLT
19	4	3/4 HEX NUT
20	16	3/4 FLAT WASHER
21	4	OUTSIDE SPACER
22	2	CENTER BUSHING
23	8	14" DISC BLADE
24	1	L.H. DISC FRAME
25	1	R.H. DISC FRAME
26	8	3/4 - 10 X 2 BOLT
27	4	CLAMP
31	2	TOP DISC FRAME BAR
32	10	3/8 - 16 X 1 1/4 PLOW BOLTS
33	10	3/8 - 16 HEX NUTS
34	4	1/2 - 13 X 3 1/2 HHCS
36	1	LANDSLIDE LONG
38	1	SADDLE (FROG)
39	2	5/8 LOCKWASHER
40	10	3/8 LOCKWASHER
42	2	CIRCLE CLIP

PART #	CHK. LIST
302111	
3021CA	
3021CB	
3021CC	
N/A	
3021NA	
N/A	
302121	
302122	
302123	
302124	
302125	
302126	
302127	
3021NB	
N/A	
N/A	
302128	
N/A	
N/A	
302129	
302130	
302131	
302132	
302133	
N/A	
302134	
302135	
3021NC	
N/A	
N/A	
302136	
302137	
N/A	
N/A	
3021CD	